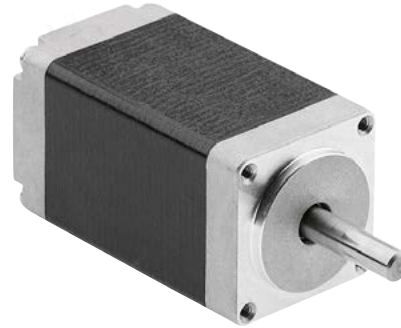
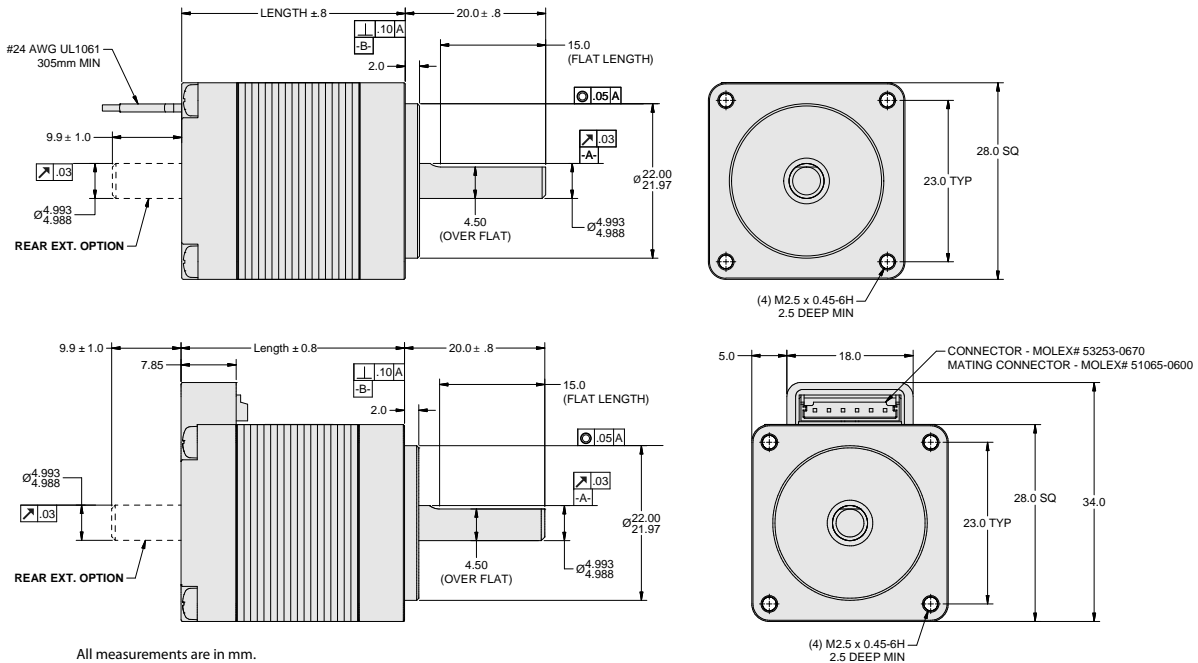


The ElectroCraft Torque Power™ Enhanced Nema 11 is the newest member of our TPE range. Produced using advanced manufacturing techniques, this high performance stepper motor leads the field in terms of torque per frame size. Motors are available with unipolar and bipolar windings and with a variety of shaft configurations and encoder options to suit any application.

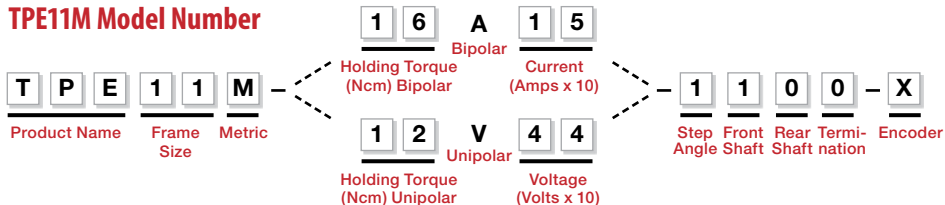
This is a metric motor.



TPE11M Frame Size Drawing Key			
MOTOR TYPE		LENGTH (INCHES)	LENGTH (MM)
BIPOLAR	UNIPOLAR		
TPE11M-8A	TPE11M-6V	1.26 ±0.04	31.9 ±0.8
TPE11M-11A	TPE11M-8V	1.56 ±0.04	39.6 ±0.8
TPE11M-16A	TPE11M-12V	1.98 ±0.04	50.4 ±0.8



### TPE11M Model Number



# TPE11M

## ElectroCraft TorquePower™ Enhanced

### STEPPER MOTOR



#### TPE11M Mechanical Data

TPE11M Bi-Polar Stack Size			
Metric Models	TPE11M-8A	TPE11M-11A	TPE11M-16A
Holding Torque Bi-Polar (oz-in)	11.3	15.6	22.7
Holding Torque Bi-Polar (Ncm)	8	11	16
Length (inches)	1.26	1.56	1.98
Length (cm)	3.2	4.0	5.0
Width (inches)	1.1	1.1	1.1
Width (cm)	2.8	2.8	2.8
Weight (oz)	4.0	5.0	6.5
Weight (g)	113.4	141.7	184.3
Step Angle (°/step)	1.8	1.8	1.8
Number Leads	4	4	4

TPE11M Uni-Polar Stack Size			
Metric Models	TPE11M-6V	TPE11M-8V	TPE11M-12V
Holding Torque Uni-Polar (oz-in)	8.5	11.3	16.9
Holding Torque Uni-Polar (Ncm)	6	8	12
Length (inches)	1.26	1.56	1.98
Length (cm)	3.2	4.0	5.0
Width (inches)	1.1	1.1	1.1
Width (cm)	2.8	2.8	2.8
Weight (oz)	4.0	5.0	6.5
Weight (g)	113.4	141.7	184.3
Step Angle (°/step)	1.8	1.8	1.8
Number Leads	6	6	6

#### TPE11M Winding Data

TPE11M Bi-Polar Windings									
Metric Models	8A05	8A10	8A15	11A05	11A10	11A15	16A05	16A10	16A15
Current (A/Phase)	0.5	1.0	1.5	0.5	1.0	1.5	0.5	1.0	1.5
Voltage (V/Phase)	4.8	2.6	1.8	5.9	3.1	2.0	7.4	4.0	2.6
Resistance (R/Phase)	9.6	2.6	1.1	11.7	3.1	1.3	14.8	4.0	1.8
Inductance (mH)	7.7	1.9	0.8	8.1	2.1	0.9	11.1	3.1	1.3

TPE11M Bi-Polar Windings						
Metric Models	8A05	8A10	8A15	11A05	11A10	11A15
Current Uni-Polar A/Phase	0.5	1.0	1.5	0.5	1.0	1.5
Voltage Uni-Polar (V/Phase)	4.8	2.6	1.8	5.9	3.1	2.0
Resistance Uni-Polar (R/Phase)	9.6	2.6	1.1	11.7	3.1	1.3
Inductance Uni-Polar (mH)	7.7	1.9	0.8	8.1	2.1	0.9
Current Bi-Polar (A/Phase)	1.3	0.7	1.3	0.7	1.3	0.7
Voltage Bi-Polar (V/Phase)	2.0	3.8	2.3	4.6	3.1	6.2
Resistance Bi-Polar (R/Phase)	1.5	5.6	1.8	6.8	2.4	9.2
Inductance Bi-Polar (mH)	0.9	4.0	1.5	5.8	1.7	6.7



Your Genius. Our Drive.

ElectroCraft, Inc.  
250 McCormick Road,  
Gallipolis, Ohio 45631

Tel: (844) 338-8114  
Fax: (812) 385-3013

Email: sales@electrocrafter.com  
www.electrocrafter.com

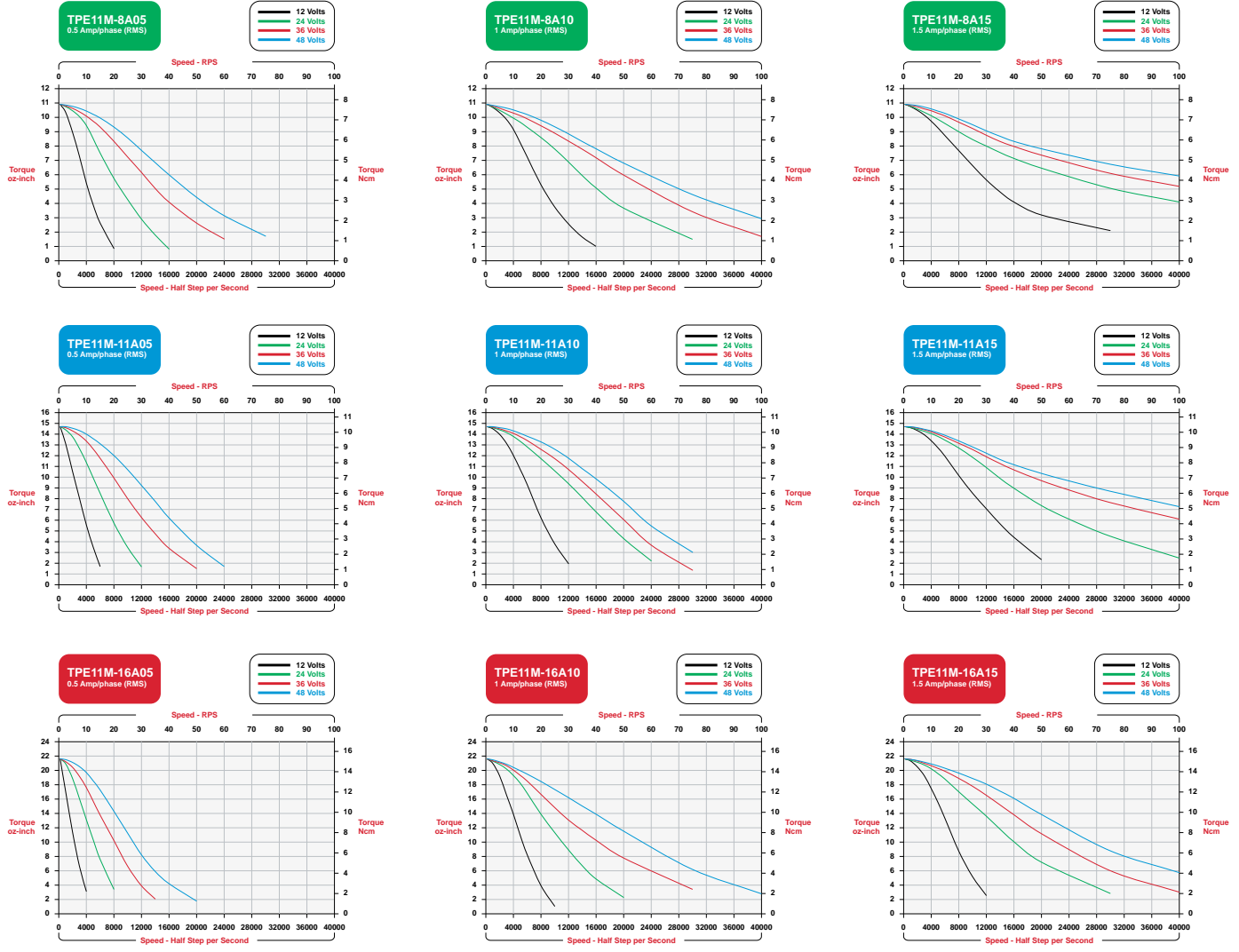
# TPE11M

## ElectroCraft TorquePower™ Enhanced

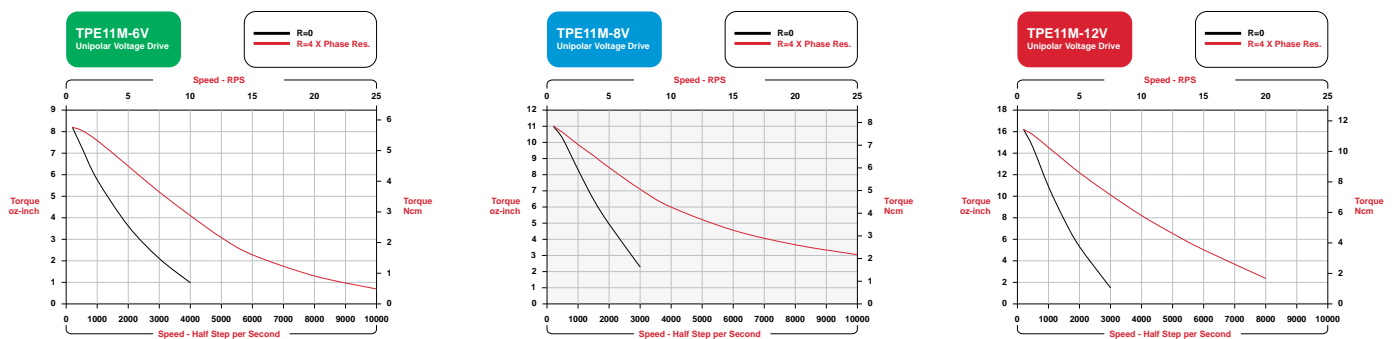
### STEPPER MOTOR



### TPE11M - Bipolar Performance



### TPE11M - Unipolar Performance



Your Genius. Our Drive.

ElectroCraft, Inc.  
250 McCormick Road,  
Gallipolis, Ohio 45631

Tel: (844) 338-8114  
Fax: (812) 385-3013

Email: sales@electrocrafter.com  
www.electrocrafter.com